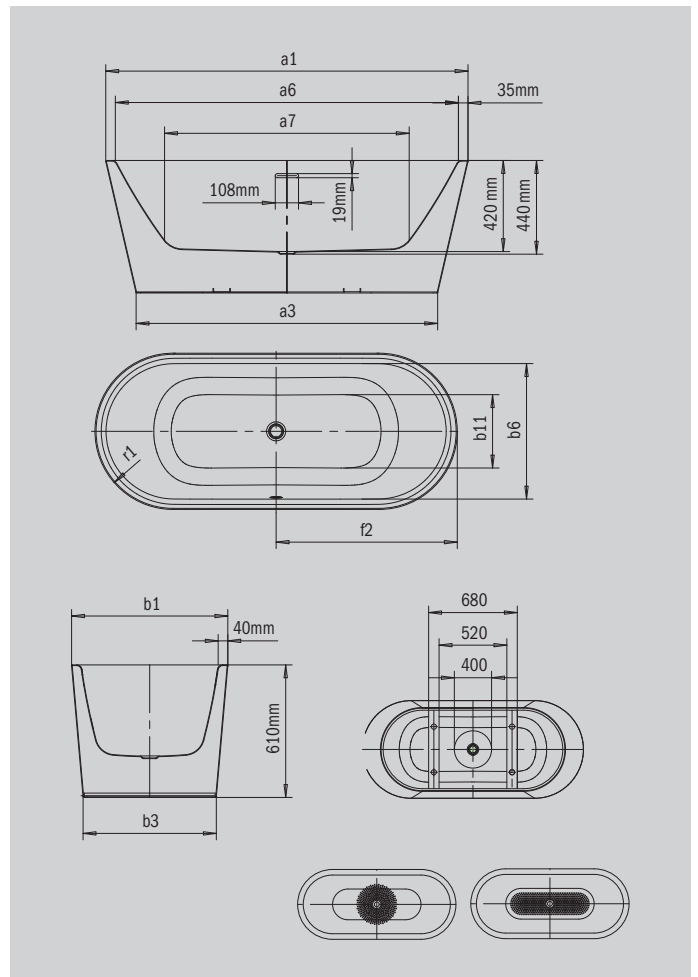


MEISTERSTÜCK CLASSIC DUO OVAL

- Classic design with oval contour and conical outer lines
- Ovale, symmetrische Liegefläche bildet eine harmonische Erscheinung im Bad
- Installation note: The free space under the bathtuballows installation without screed recesses



Similar illustration



Model		1020-4034
External length [mm]	a_1	1550 mm
External length (bottom) [mm]	a_3	1268 mm
Internal length (top) [mm]	a_6	1480 mm
Internal length (bottom) [mm]	a_7	1030 mm
External width [mm]	b_1	660 mm
External width (bottom) [mm]	b_3	553 mm
Internal width (top) [mm]	b_6	580 mm
Internal width (bottom) [mm]	b_{11}	410 mm
Depth inside [mm]	c_1	420 mm
Depth incl. waste hole [mm]	c_2	440 mm
Height of bath [mm]	c_{19}	610 mm
Width of rim (foot end; long side) [mm]	$e_1; e_2$	35; 40 mm
Distance top edge to centre of overflow hole [mm]	f_1	70 mm
Distance bath edge to centre of waste hole [mm]	f_2	775 mm
Distance centre of waste hole to centre of overflow hole [mm]	f_7	280 mm
Diameter of waste hole [mm]	f_9	Ø 52 mm
Width overflow hole [mm]	f_{15}	108 mm
Height overflow hole [mm]	f_{16}	19 mm
External radius [mm]	r_1	330 mm
Water volume [l]		95 l
Net weight [kg]		93 kg
Diameter of anti-slip [mm]		Ø 288 mm
Full anti-slip		850 x 240 mm